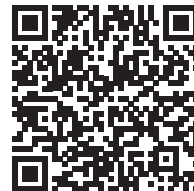


# HEALTHBOX<sup>®</sup> GO

## QUICK START GUIDE



Read this important information and the installation manual carefully before starting up the unit. This quick start guide contains the most essential items for installing the Renson Healthbox Go. Read the general safety instructions and the specific safety measures contained in the installation manual before starting the installation.

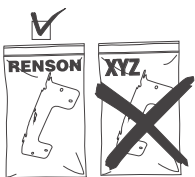


You can download the detailed installation manual here:

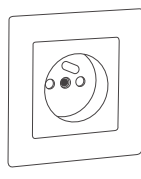
## Safety

Only use this unit for its intended use as described in the installation manual.

- This unit is only suitable for household use. This unit is **NOT** suitable for industrial use.
- The Renson Healthbox Go must be installed in accordance with the general and locally applicable building, safety and installation regulations of the municipal/urban and/or other authorities.

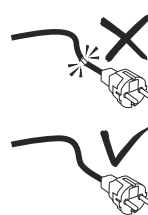


Only use original Renson parts

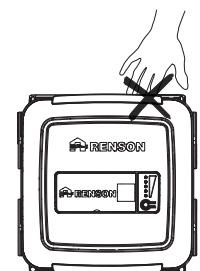


230 VAC  
50/60 Hz

Only connect unit to 230 VAC – 50/60 Hz



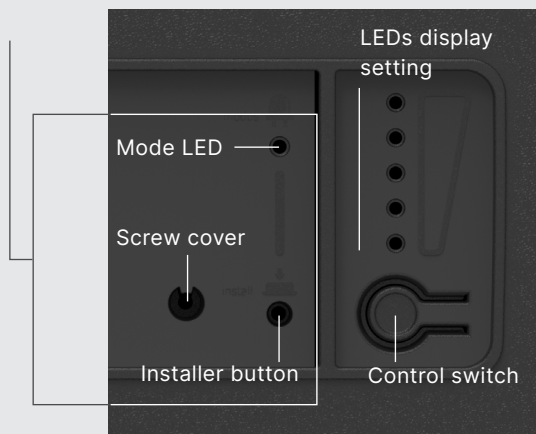
Do not use a damaged power cable



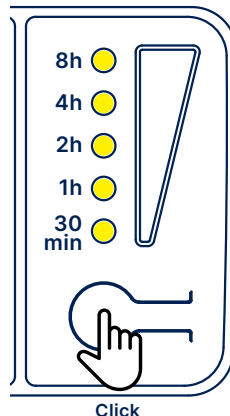
Moving parts.  
Danger of personal injury.  
Always connect at least 0.5 m of pipe.

# Healthbox® Go set up

Removing the booklet from the lid gives you access to:



## 1 How to put the unit in C mode?



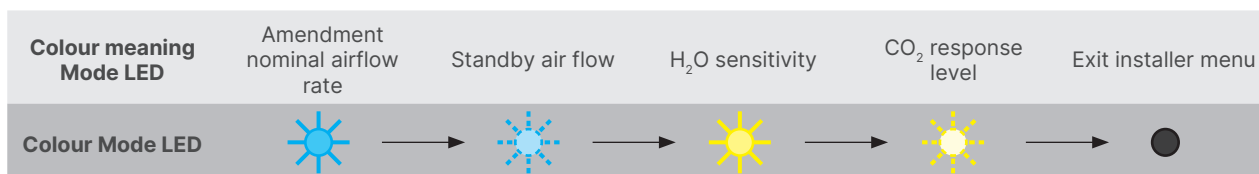
This means the unit then runs at the maximum set airflow rate.

The more you press the control button, the more LEDs light up and the longer C-mode will last.

Note: The unit must not be in an installer menu (i.e. the mode LED must not be on) in order to activate C-mode.

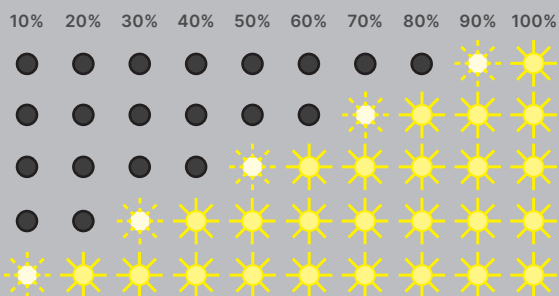
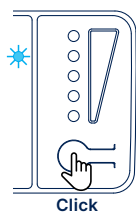
## 2 How to set up the unit?

Press the installer button, with a screwdriver for example, to go through the different menus sequentially. The colour of the Mode LED indicates which menu you are in.

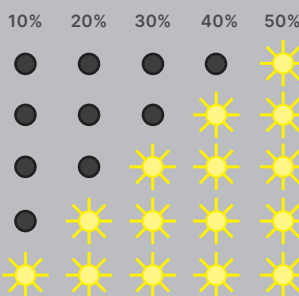
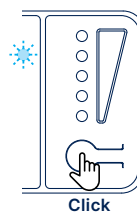


## 3 Press the control button to adjust the setting in the desired menu. The row of LEDs indicates what has been set in the selected menu.

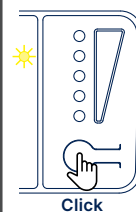
### 3a Adjust nominal (set maximum) airflow rate



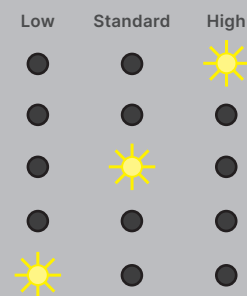
### 3b Adjust standby air flow



### 3c To adjust H<sub>2</sub>O sensitivity



For more than 4 connected rooms, we recommend choosing the "high sensitivity" setting.

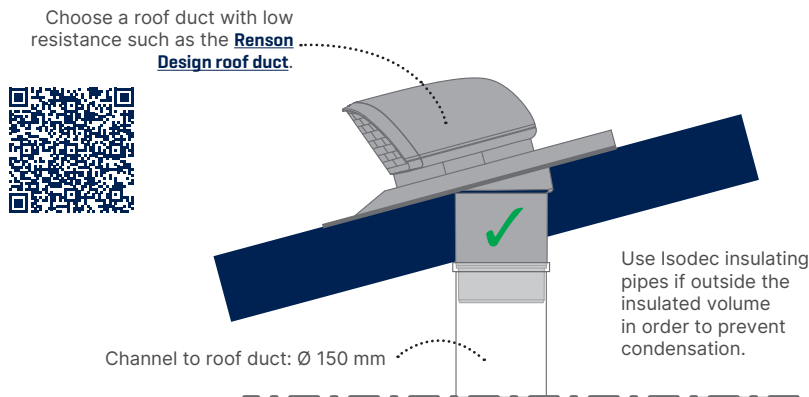


## 4 The unit exits the installer menus automatically after x amount of time without a control input. You can also press the installer button a number of times until the mode LED is no longer illuminated.

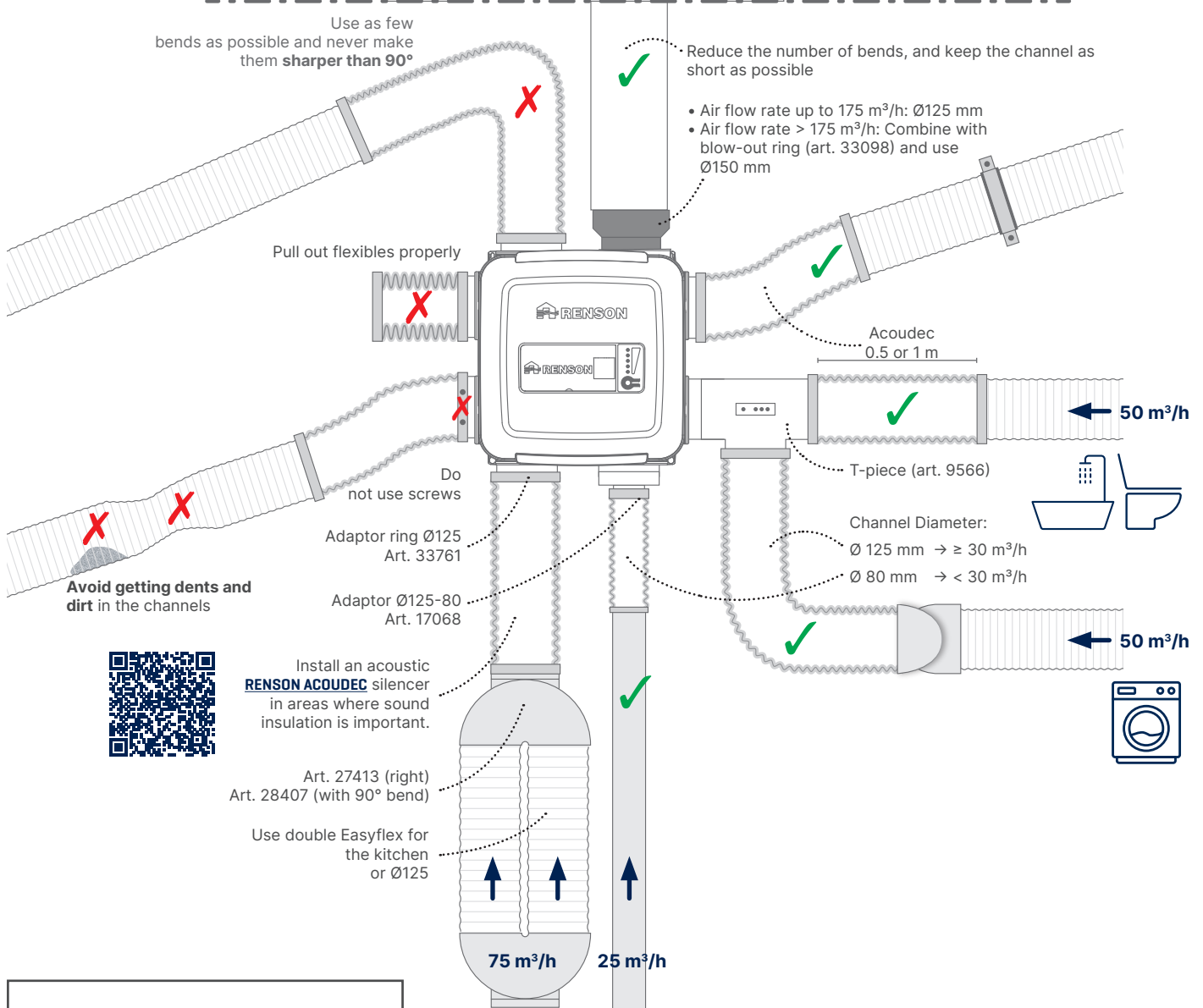
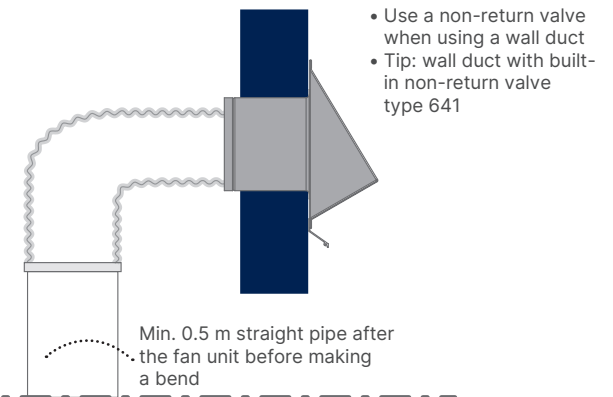
# Installation Tips

Making sure your RENSON ventilation system functions properly is strongly influenced by the choice and quality of installation of the air channels and feed to the outside.

## ROOF DUCT



## WALL DUCT



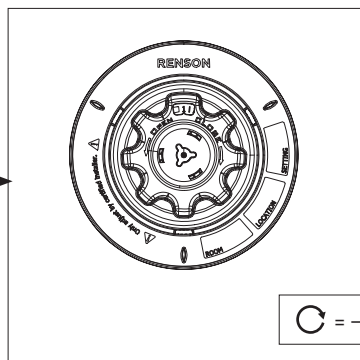
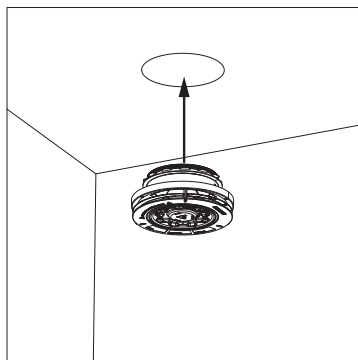
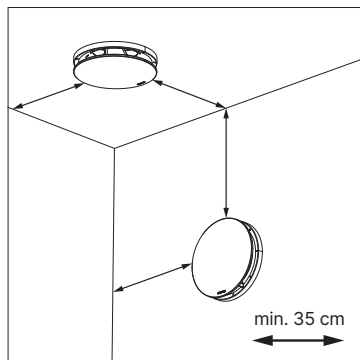
Use airtight channels with a sufficiently large diameter.

Choose a flexible air channel from the **RENSON EASYFLEX** range.

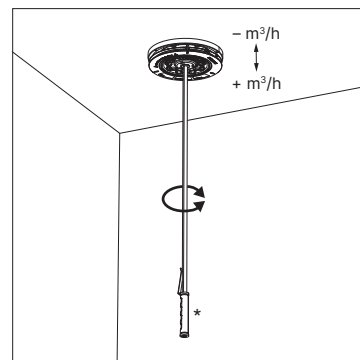
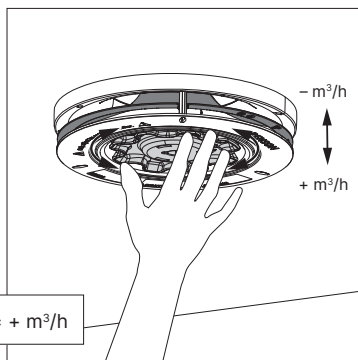
Ensure the total air resistance is as low as possible.

Excessive air resistance is caused by reduced channel diameter, excess bends and lengthy channels.

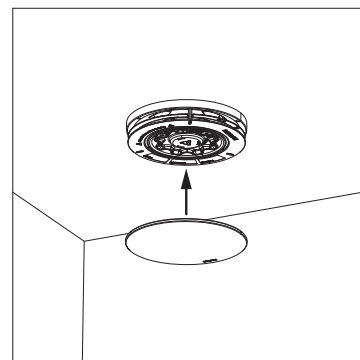
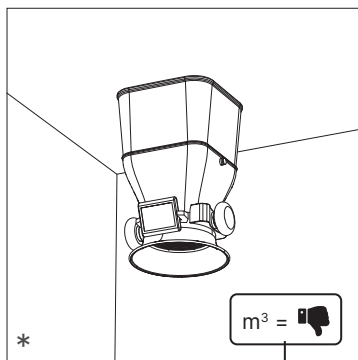
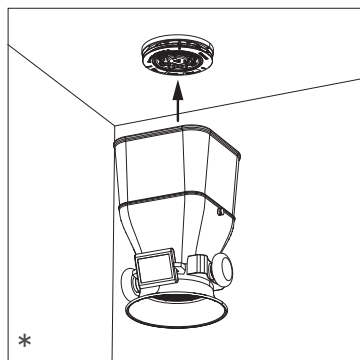
# Installation Aeroo®



= - m³/h   
 = + m³/h



\* Optional art. 76050870



\* Correct adjustment of the ventilation air flow rates to conform with the regulations must be done with professional equipment.  
Hire a professional for this.